



# Parts Manual

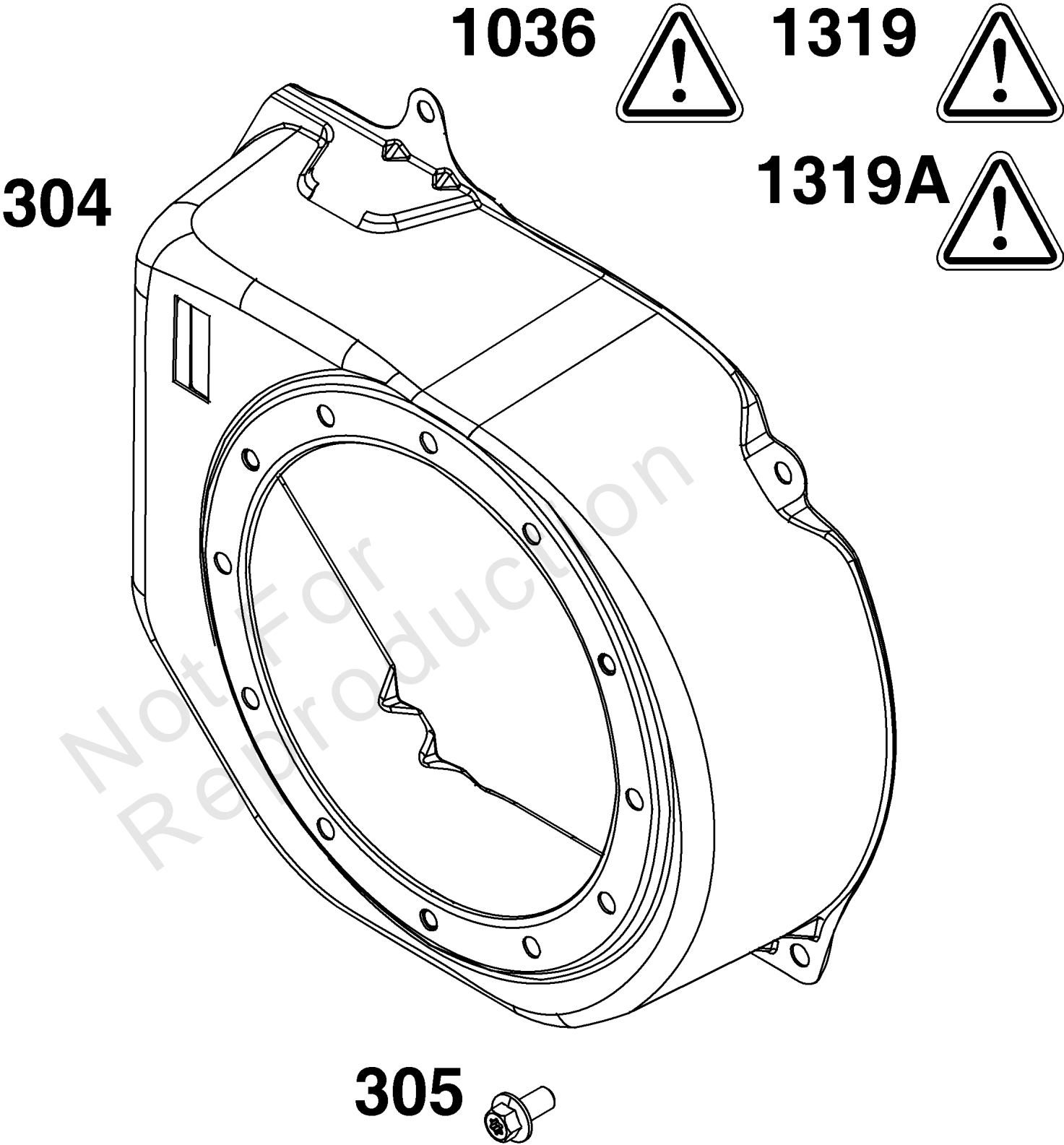
Mfg. No: 130G32-0014-H5



---

<b>Model Components</b>	<b>Page</b>
Blower Housing Group.....	4
Carburetor Group.....	6
Controls Group.....	8
Crankcase Cover/Sump and Lubrication Group.....	10
Crankshaft Group.....	12
Cylinder Group.....	14
Cylinder Head Group.....	16
Exhaust Group.....	18
Flywheel, Ignition, and Starter Group.....	20
Fuel Supply Group.....	22

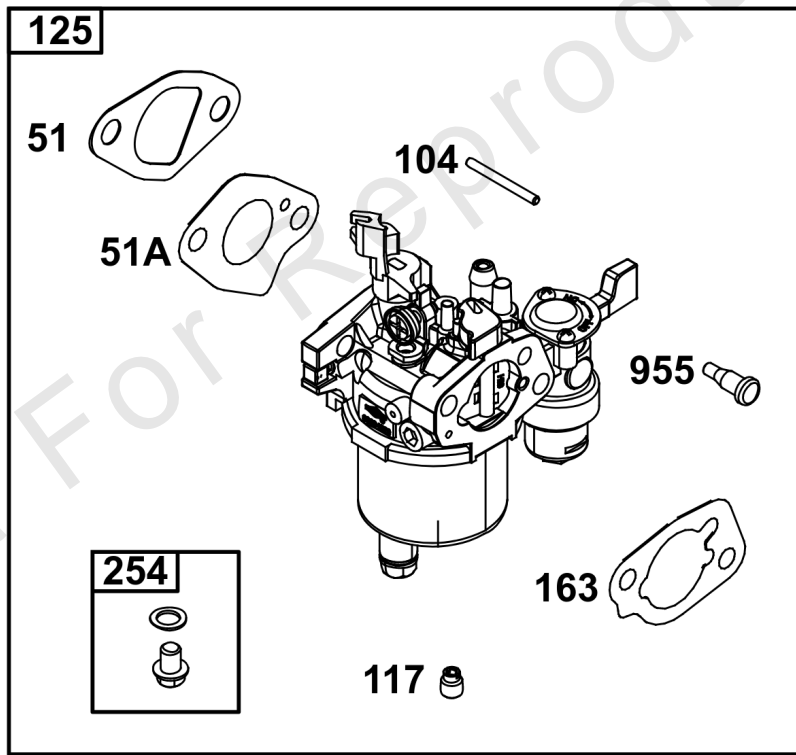
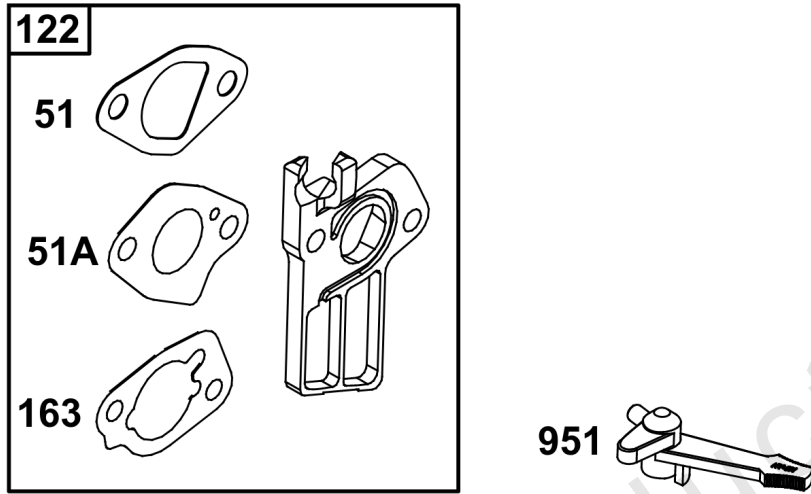
Not For  
Reproduction



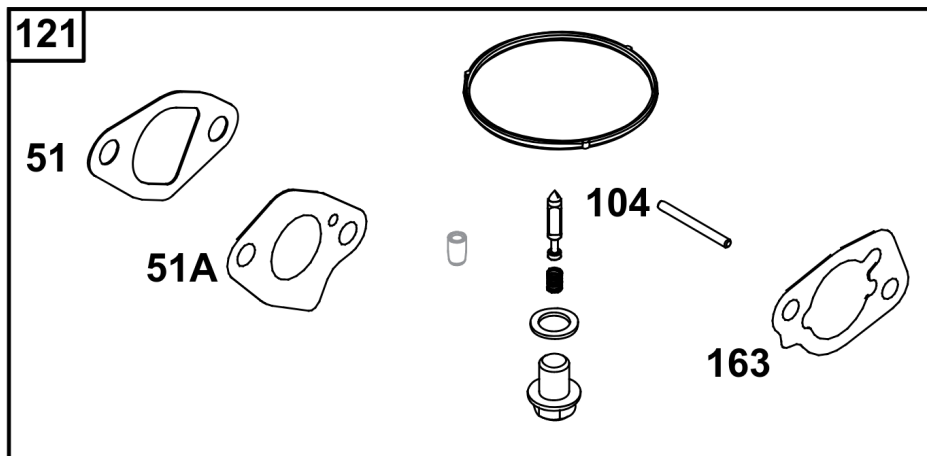
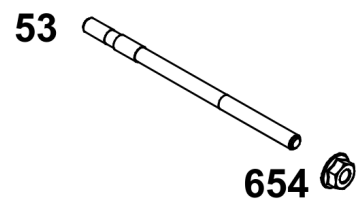
## ***Blower Housing Group***

<b>REF NO</b>	<b>PART NO</b>	<b>QTY</b>	<b>DESCRIPTION</b>
304	590724	1	HOUSING, Blower
305	597078	4	SCREW -(Blower Housing)
1036	-----	1	LABEL, Emissions -(Available from a Briggs & Stratton Authorized Dealer)
1319	794467	1	LABEL, Warning -(REQUIRED When Replacing Parts With Warning Labels Affixed)
1319A	797669	1	LABEL, Warning -(REQUIRED When Replacing Parts With Warning Labels Affixed)

Not For Reproduction

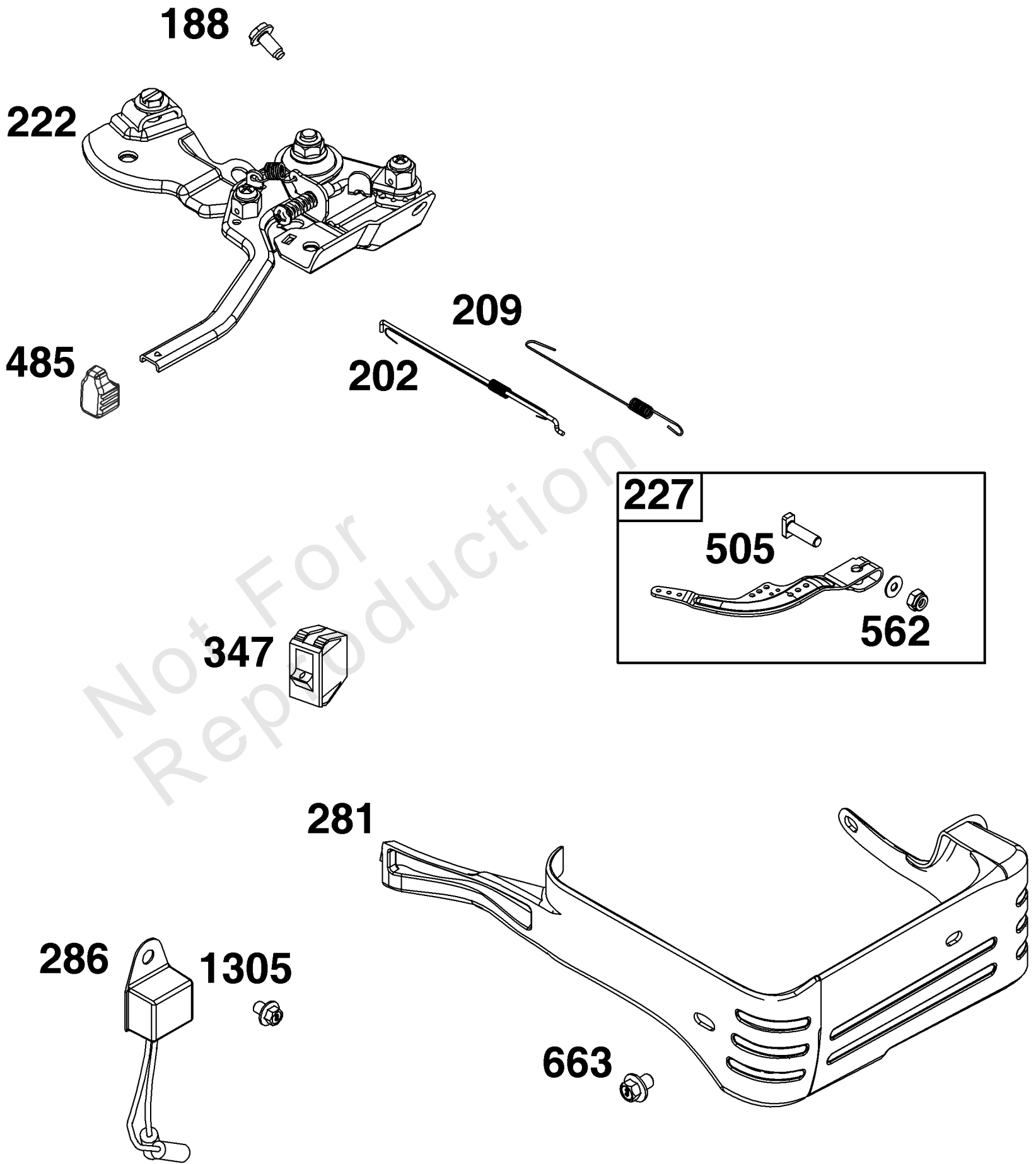


118



## Carburetor Group

REF NO	PART NO	QTY	DESCRIPTION
51	-----	1	GASKET, Intake -(Part information located in Cylinder Head Group.)
51A	-----	1	GASKET, Intake -(Part information located in Cylinder Head Group.)
53	590691	2	STUD -(Carburetor)
104	592486	1	PIN, Float Hinge
117	591861	1	JET, Main -(Standard)
118	592875	1	JET, Main -(High Altitude)
121	591770	1	KIT, Carburetor Overhaul -(Service Kits may include extra parts not specific to this engine.)
122	590615	1	SPACER, Carburetor
125	596079	1	CARBURETOR
163	590605	1	GASKET, Air Cleaner
254	592493	1	DRAIN, Carburetor Bowl
654	590692	2	NUT -(Carburetor)
951	590614	1	LEVER, Choke
955	595329	1	PLUG, Carburetor

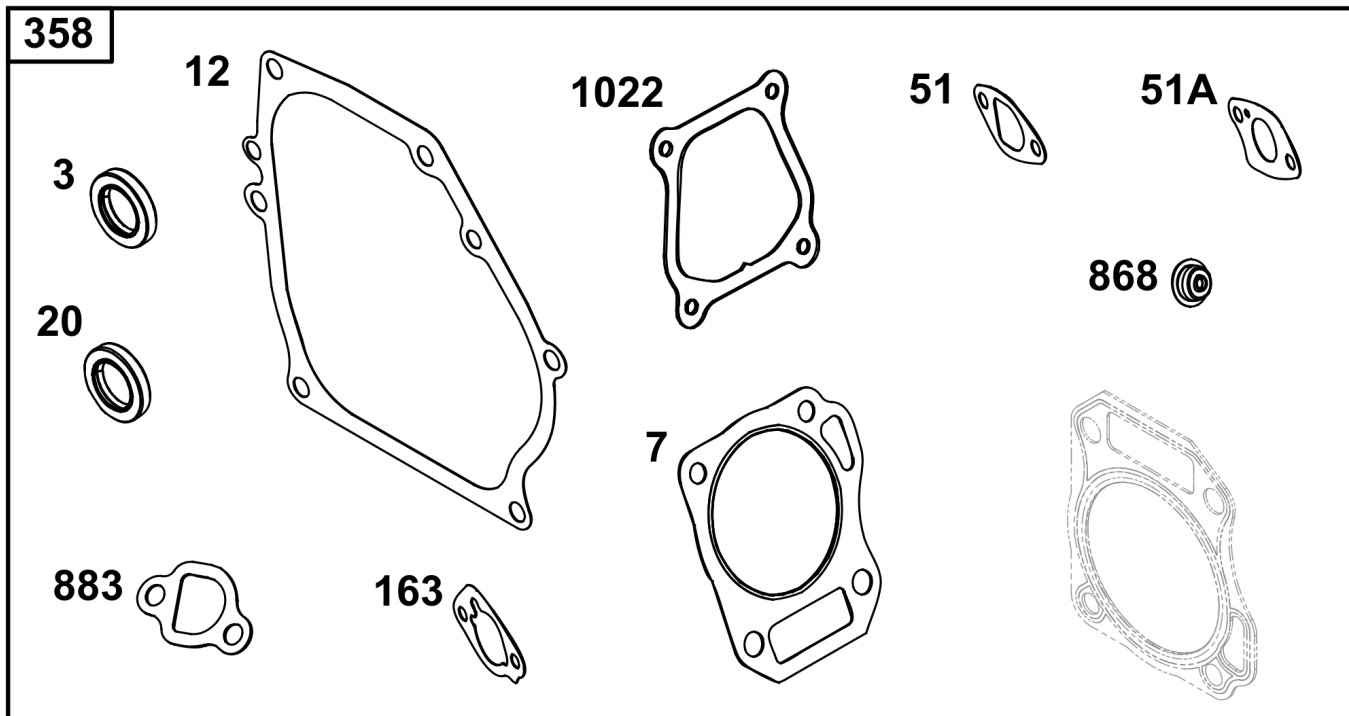
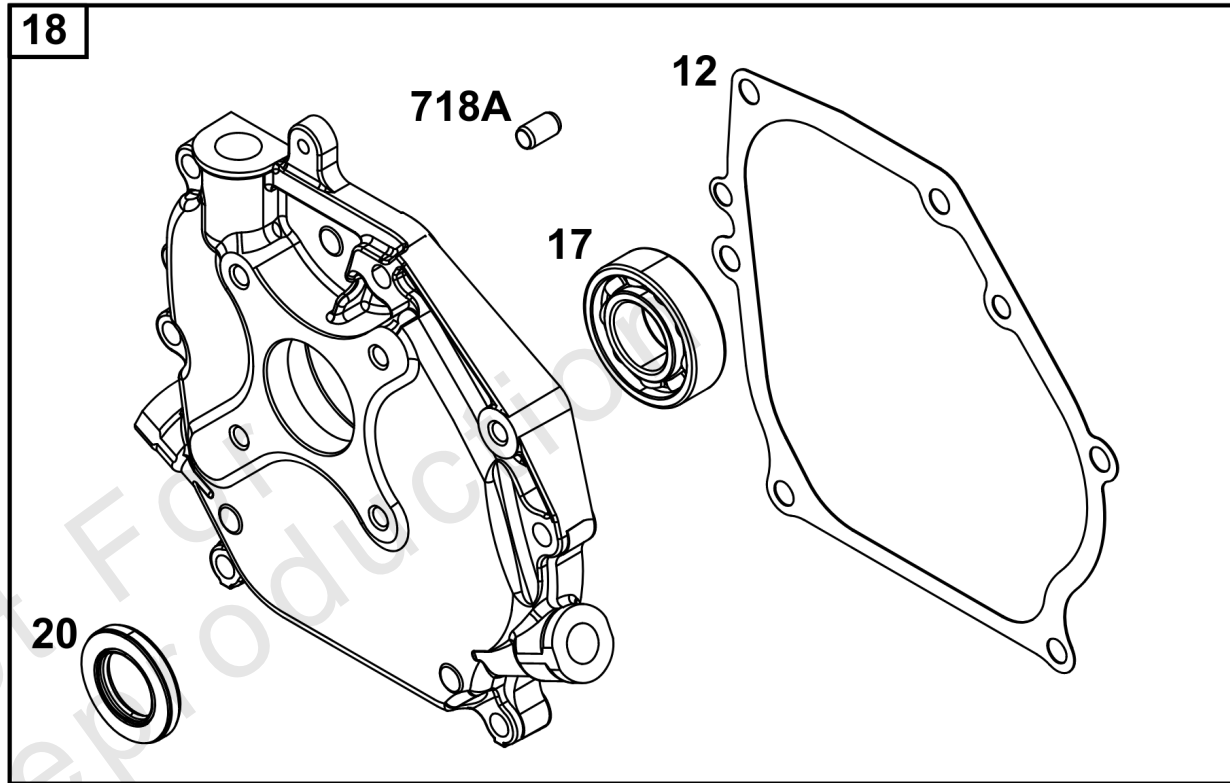
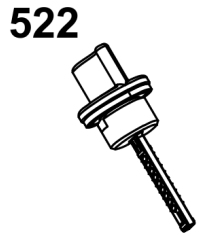
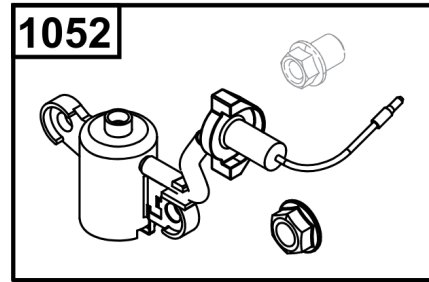




## Controls Group

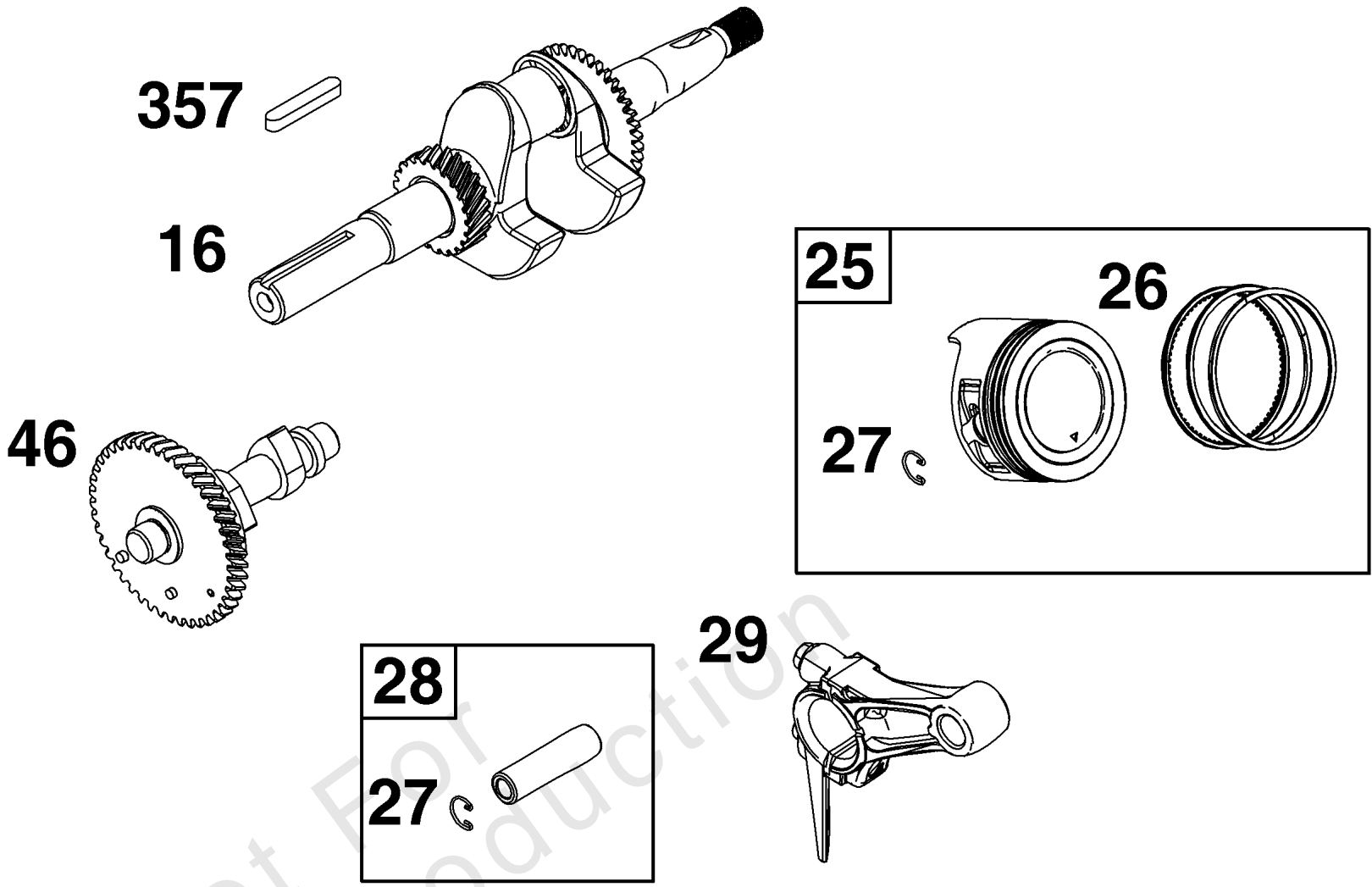
REF NO	PART NO	QTY	DESCRIPTION
188	590850	2	SCREW -(Control Bracket)
202	592866	1	LINK, Mechanical Governor
209	590625	1	SPRING, Governor
222	592413	1	BRACKET, Control
227	590660	1	LEVER, Governor Control
281	592863	1	PANEL, Control
286	590702	1	MODULE, Oil Sensor
347	697854	1	SWITCH, Rocker
485	797339	1	KNOB, Control
505	590641	1	NUT -(Governor Control Lever)
562	590640	1	BOLT -(Governor Control Lever)
663	597549	3	SCREW -(Control Panel)
1305	590643	1	SCREW -(Oil Sensor Module)

Not For Reproduction



## Crankcase Cover/Sump and Lubrication Group

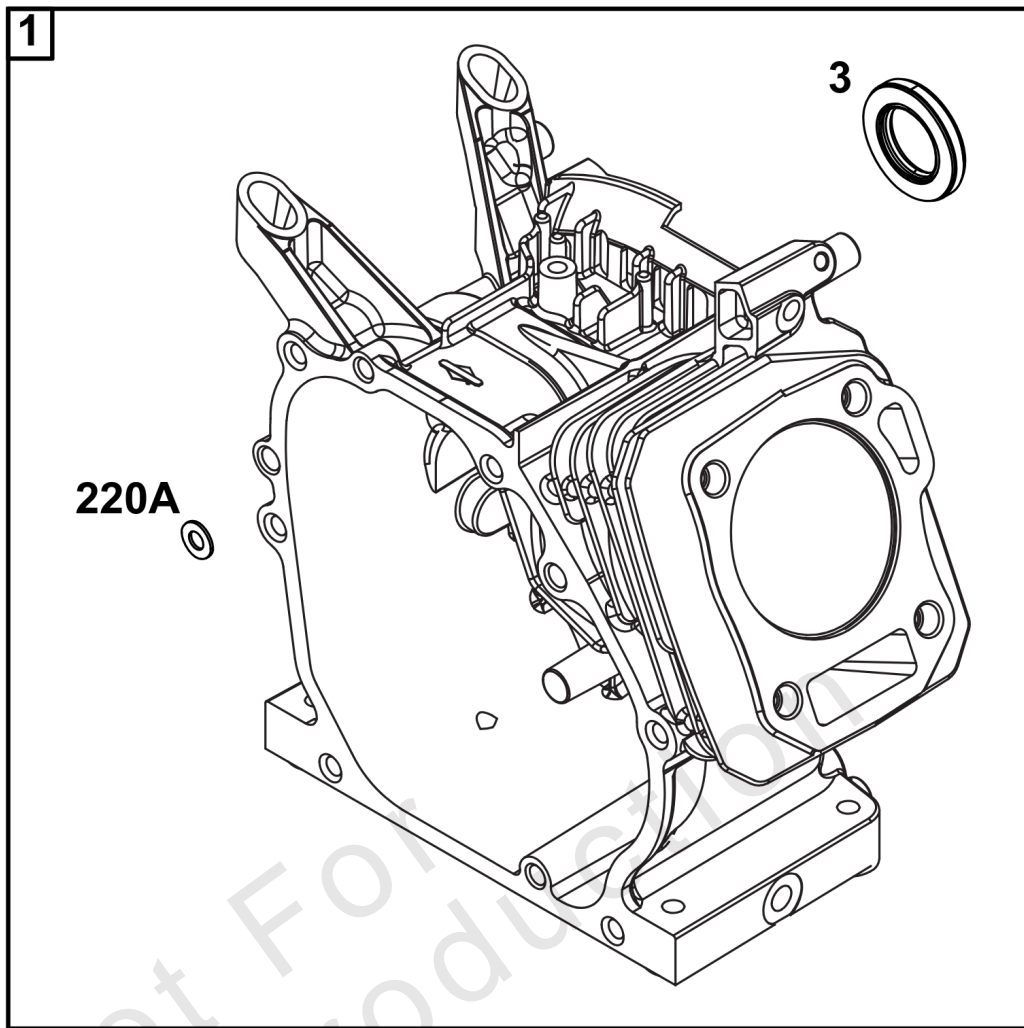
REF NO	PART NO	QTY	DESCRIPTION
3	-----	1	SEAL, Oil -(Part information located in Cylinder Group.)
7	-----	1	GASKET, Cylinder Head -(Part information located in Cylinder Head Group.)
12	590608	1	GASKET, Crankcase
17	-----	1	BEARING, Ball -(Part information located in Cylinder Group.)
18	84002444	1	COVER, CRANKCASE
20	590712	1	SEAL, Oil -(PTO Side)
22	590714	6	SCREW -(Crankcase Cover/Sump)
51	-----	1	GASKET, Intake -(Part information located in Cylinder Head Group.)
51A	-----	1	GASKET, Intake -(Part information located in Cylinder Head Group.)
163	-----	1	GASKET, Air Cleaner -(Part information located in Carburetor Group.)
358	-----	1	GASKET SET, Engine -(Part information located in Cylinder Group.)
522	590716	2	PLUG, Dipstick/Fill
718A	590713	2	PIN, Locating
799	590703	2	SCREW -(Oil Sensor)
868	-----	1	SEAL, Valve -(Part information located in Cylinder Head Group.)
883	-----	1	GASKET, Exhaust -(Part information located in Exhaust Group.)
1022	-----	1	GASKET, Rocker Cover -(Part information located in Cylinder Head Group.)
1052	84004948	1	SENSOR, Oil



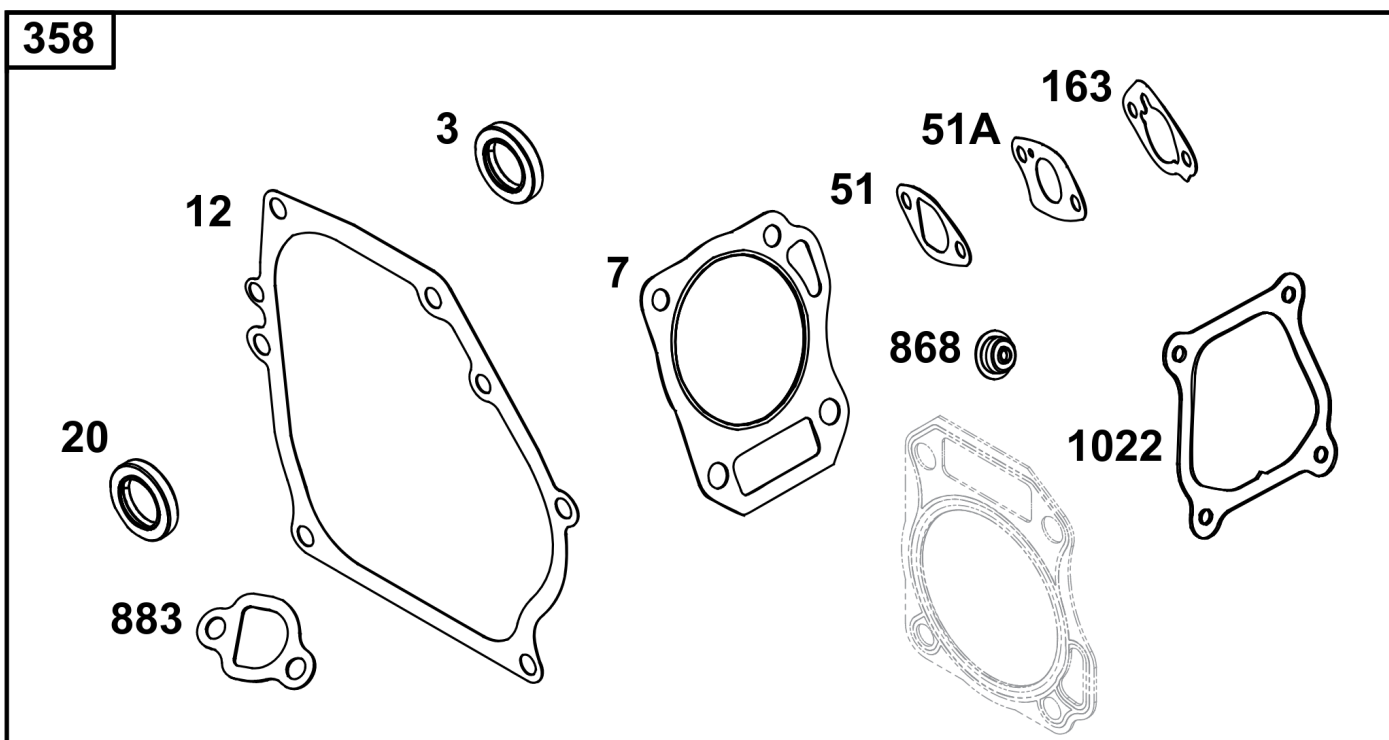
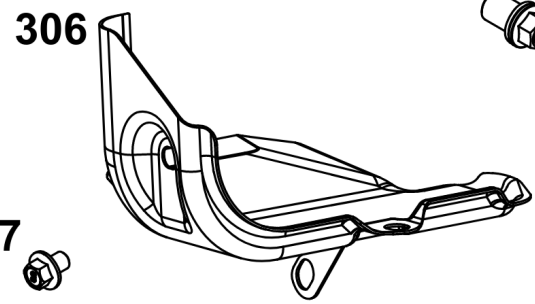
## ***Crankshaft Group***

<b>REF NO</b>	<b>PART NO</b>	<b>QTY</b>	<b>DESCRIPTION</b>
16	591520	1	CRANKSHAFT
25	84002533	1	PISTON ASSEMBLY
25	84004260	1	PISTON ASSEMBLY -(.020" Oversize)
26	592957	1	SET, Ring -(Standard)
26	592958	1	SET, Ring -(.020" Oversize)
27	590664	2	LOCK, Piston Pin
28	590663	1	PIN, Piston
29	84002448	1	ROD, CONNECTING
46	593289	1	CAMSHAFT
357	798305	1	KEY, Drive Pulley

Not For Reproduction

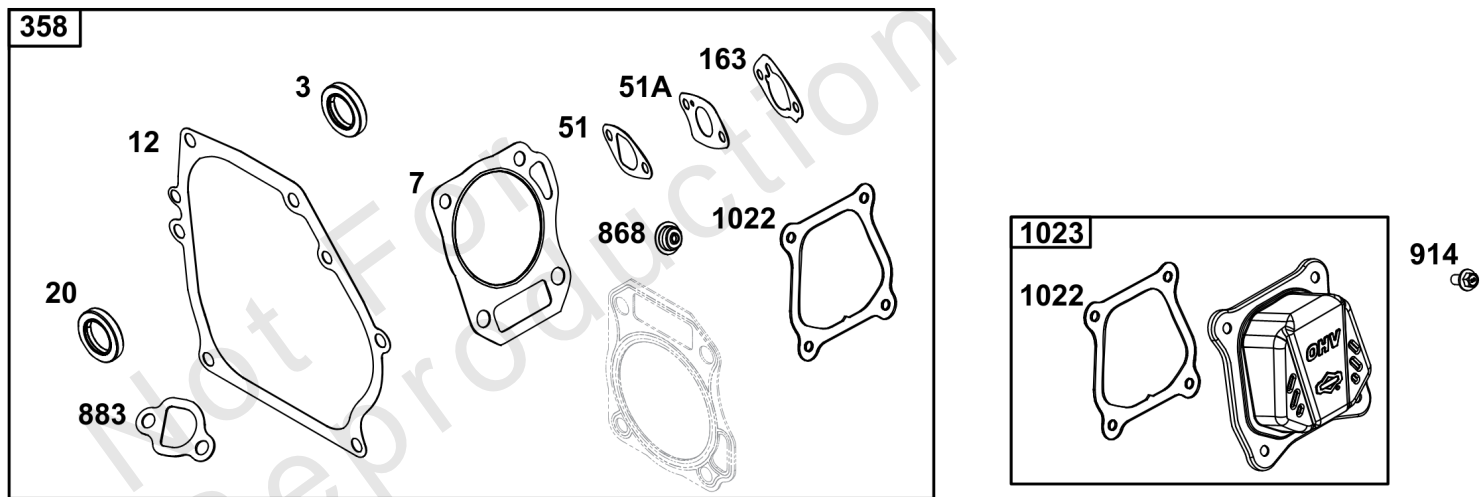
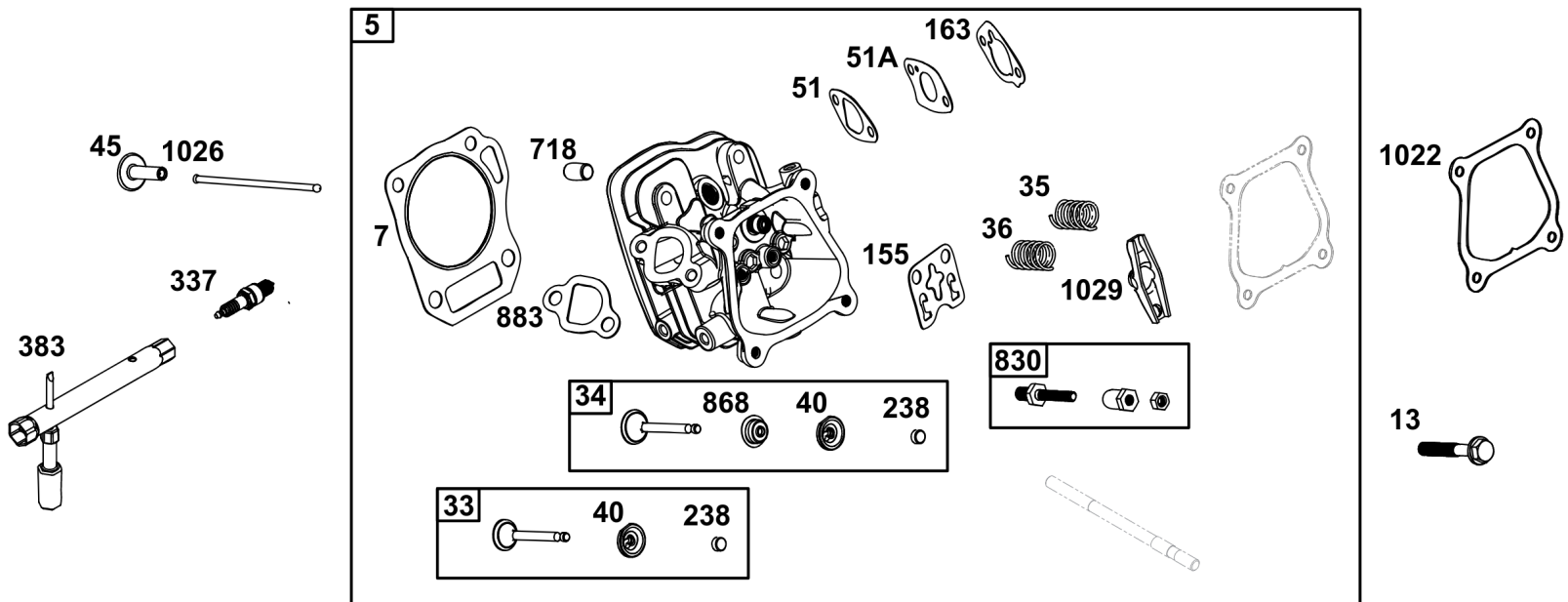


- 614
- 404
- 616
- 220
- 221
- 718
- 718A
- 15



## Cylinder Group

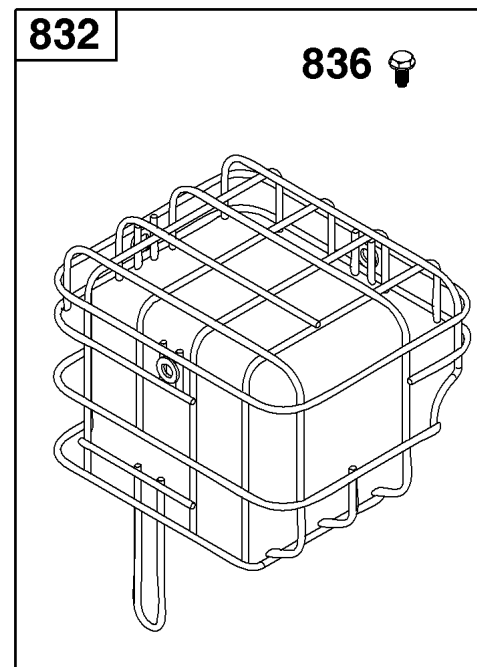
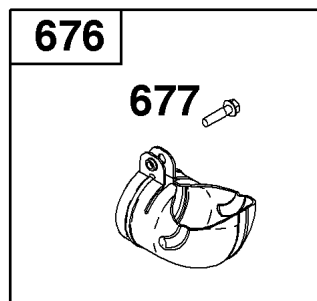
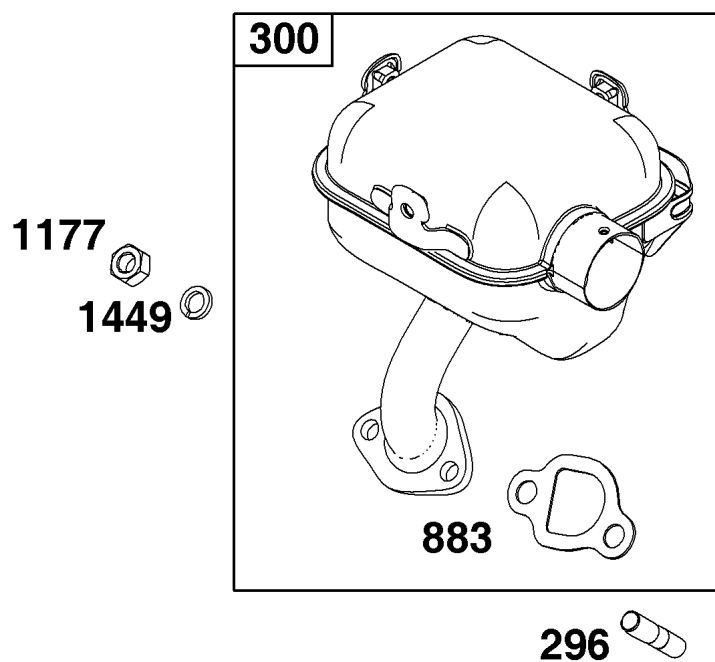
REF NO	PART NO	QTY	DESCRIPTION
1	84002437	1	CYLINDER ASSEMBLY
3	590712	1	SEAL, Oil -(Magneto Side)
7	-----	1	GASKET, Cylinder Head -(Part information located in Cylinder Head Group.)
12	-----	1	GASKET, Crankcase -(Part information located in Crankcase Cover/Sump and Lubrication Group.)
15	590678	2	PLUG, Oil Drain
17	590715	1	BEARING, Ball -(Cylinder)
20	-----	1	SEAL, Oil -(Part information located in Crankcase Cover/Sump and Lubrication Group.)
51	-----	1	GASKET, Intake -(Part information located in Cylinder Head Group.)
51A	-----	1	GASKET, Intake -(Part information located in Cylinder Head Group.)
163	-----	1	GASKET, Air Cleaner -(Part information located in Carburetor Group.)
220	590677	1	WASHER -(Governor Gear)
220A	590675	1	WASHER -(Governor Gear)
221	590676	1	CUP, Governor
306	590636	1	SHIELD, Cylinder
307	590683	2	SCREW -(Cylinder Shield)
358	594951	1	GASKET SET, Engine -(Service Kits may include extra parts not specific to this engine.)
404	590669	1	WASHER -(Governor Crank)
614	590670	1	PIN, Cotter
616	590668	1	CRANK, Governor
718	590637	2	PIN, Locating
718A	590713	2	PIN, Locating
868	-----	1	SEAL, Valve -(Part information located in Cylinder Head Group.)
883	-----	1	GASKET, Exhaust -(Part information located in Exhaust Group.)
1022	-----	1	GASKET, Rocker Cover -(Part information located in Cylinder Head Group.)





## Cylinder Head Group

REF NO	PART NO	QTY	DESCRIPTION
3	-----	1	SEAL, Oil -(Part information located in Cylinder Group.)
5	84002435	1	HEAD, CYLINDER
7	591445	1	GASKET, Cylinder Head
12	-----	1	GASKET, Crankcase -(Part information located in Crankcase Cover/Sump and Lubrication Group.)
13	590639	4	SCREW -(Cylinder Head)
20	-----	1	SEAL, Oil -(Part information located in Crankcase Cover/Sump and Lubrication Group.)
33	591448	1	VALVE, Exhaust
34	591447	1	VALVE, Intake
35	590650	1	SPRING, Valve -(Intake)
36	590650	1	SPRING, Valve -(Exhaust)
40	590654	2	RETAINER, Valve
45	591449	2	TAPPET, Valve
51	590612	1	GASKET, Intake
51A	590613	1	GASKET, Intake
155	592874	1	PLATE, Cylinder Head
163	-----	1	GASKET, Air Cleaner -(Part information located in Carburetor Group.)
238	590649	2	CAP, Valve
337	691043	1	PLUG, Spark
358	-----	1	GASKET SET, Engine -(Part information located in Cylinder Group.)
383	590721	1	WRENCH, Spark Plug
718	-----	2	PIN, Locating -(Part information located in Cylinder Group.)
830	590653	2	STUD, Rocker Arm
868	590648	1	SEAL, Valve
883	-----	1	GASKET, Exhaust -(Part information located in Exhaust Group.)
914	590850	4	SCREW -(Rocker Cover)
1022	797194	1	GASKET, Rocker Cover
1023	592903	1	COVER, Rocker
1026	590658	2	ROD, Push
1029	590651	2	ARM, Rocker

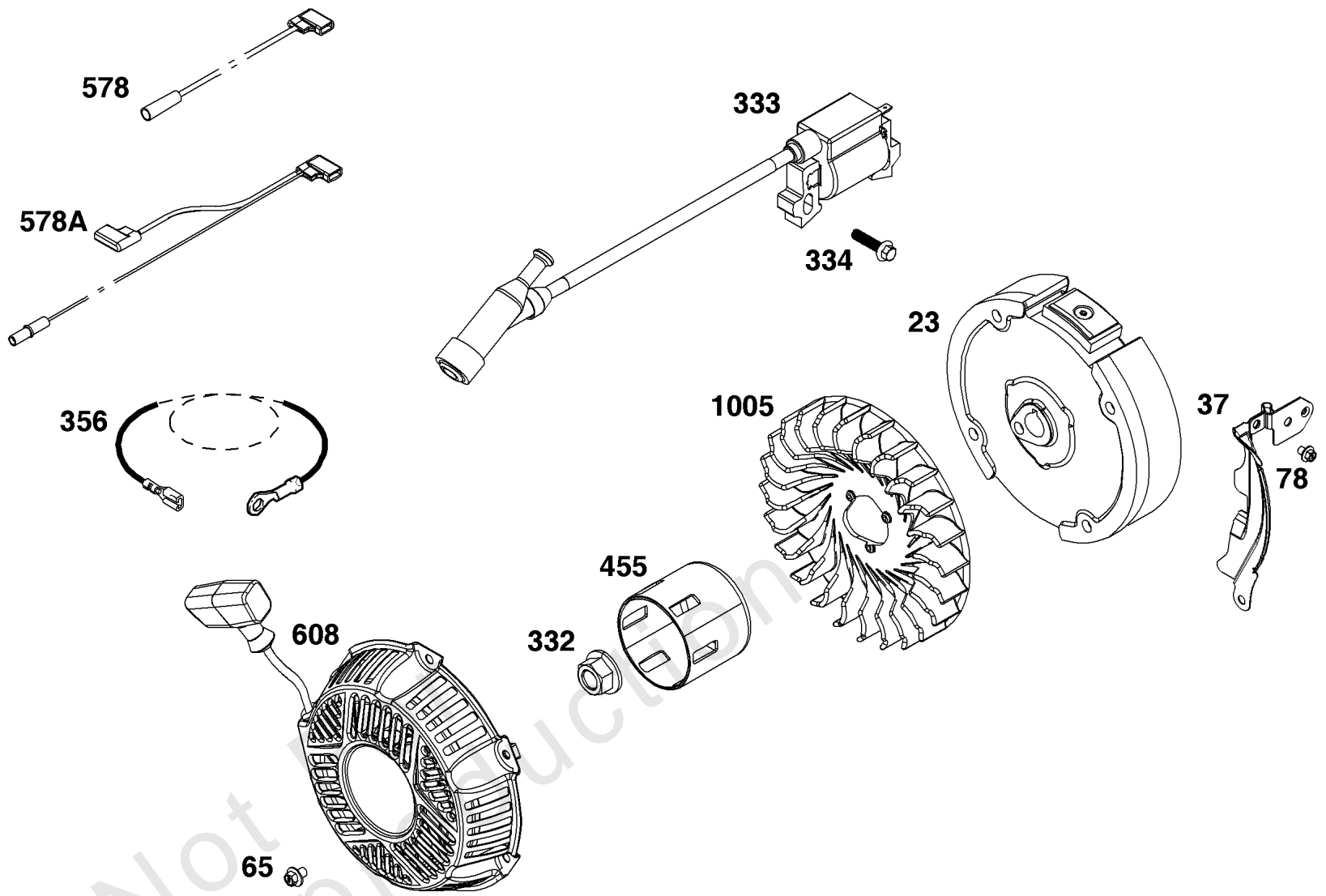


Not For  
Reproduction

## Exhaust Group

REF NO	PART NO	QTY	DESCRIPTION
296	590631	2	STUD -(Muffler)
300	592861	1	MUFFLER
676	697816	1	DEFLECTOR, Muffler
677	699776	1	SCREW -(Muffler Deflector)
832	592862	1	GUARD, Muffler
836	590850	3	SCREW -(Muffler Guard)
883	591156	1	GASKET, Exhaust
1177	590632	2	NUT -(Muffler)
1449	590633	2	WASHER -(Muffler)

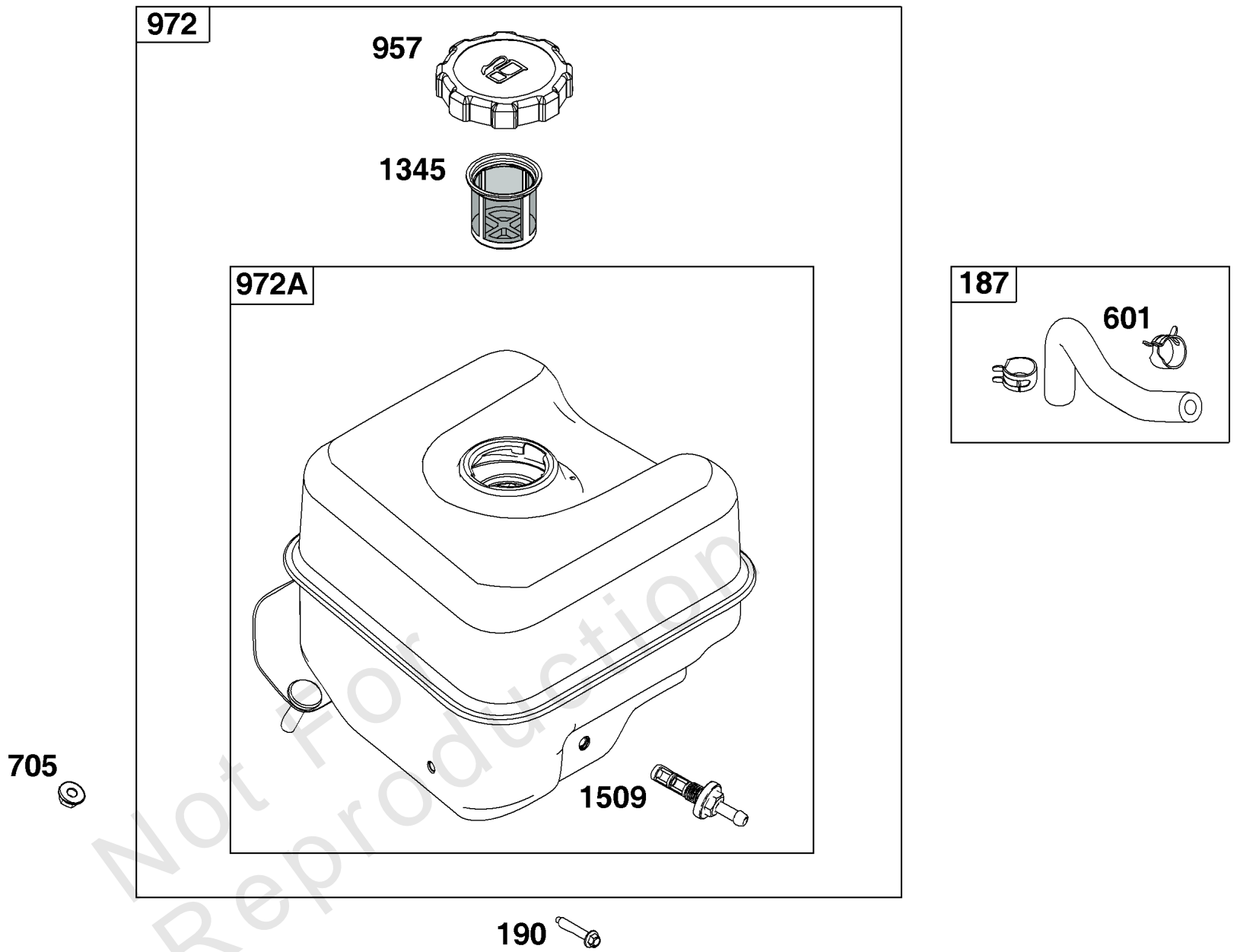
Not For Reproduction



## ***Flywheel, Ignition, and Starter Group***

REF NO	PART NO	QTY	DESCRIPTION
23	590681	1	FLYWHEEL
37	595436	1	GUARD, Flywheel
65	590683	3	SCREW -(Rewind Starter)
78	590683	1	SCREW -(Flywheel Guard)
332	590635	1	NUT -(Flywheel)
333	590603	1	ARMATURE, Magneto
334	590644	2	SCREW -(Magneto Armature)
356	695630	1	WIRE, Stop
455	590682	1	CUP, Flywheel
578	590690	1	WIRE ASSEMBLY
578A	590689	1	WIRE ASSEMBLY
608	590607	1	STARTER, Rewind
1005	590679	1	FAN, Flywheel

Not For Reproduction



## ***Fuel Supply Group***

<b>REF NO</b>	<b>PART NO</b>	<b>QTY</b>	<b>DESCRIPTION</b>
187	592867	1	LINE, Fuel
190	591476	1	SCREW -(Fuel Tank)
601	791850	2	CLAMP, Hose
705	707919	2	NUT -(Fuel Tank)
957	794641	1	CAP, Fuel Tank
972	592877	1	TANK, Fuel
972A	592954	1	TANK, Fuel
1345	792917	1	FILTER, Filler Neck
1509	797346	1	OUTLET, Tank

Not For Reproduction

